

New DISCO Non-Return Valve Type RK 76



As of May 1999 the new valve for the heating, air-conditioning and sanitary engineering sector is available.

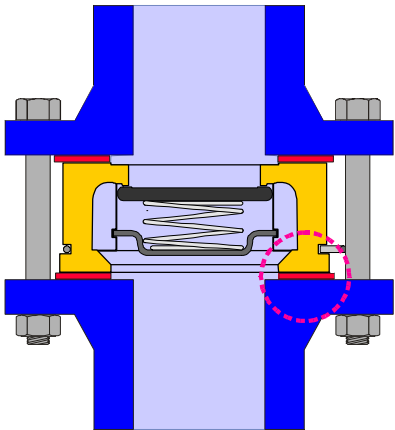
The RK 76 supersedes the RK 56 and is used in cooling water, condensate and feedwater lines.

Superior material

The RK 76 is made of G-X 8CrNi 13 (1.4008) instead of carbon steel, which is commonly used in the sanitation, heating and a.c. sector → a longer service life is ensured.

New body design

The inlet and outlet facings have the same dimensions



Larger flange facings prevent "flowing" of the asbestos-free flange gaskets and jamming of gaskets during installation.

Technical data:

Nominal sizes DN 15 - 100

For fitting between flanges DIN PN 6 - 40

ANSI B 16.5 Cl. 150/300RF

BS Table D,E,F,H,J

GESTRA is a global leader in the design and production of valves and control systems for heat and process fluid control. Being a member of the SIEBE group, we are capable of offering our customers complete and intelligent solutions engineered to function with maximum reliability.

Our products and services have many practical applications and are employed where

- steam is generated, distributed or used
- fluids flow
- energy saving is possible
- environmental protection and safety-oriented control systems are needed..

Visit us at <http://www.gestra.de> or

click to connect: gestra.today@gestra.de when you

- want to subscribe to the e-mail distribution list
- know someone who wants to subscribe to the e-mail distribution list
- want to unsubscribe from the distribution list
- want to submit an article
- have any questions

Please state whether you want an English or German version.